



Dart Impact Tester Robo 2.0



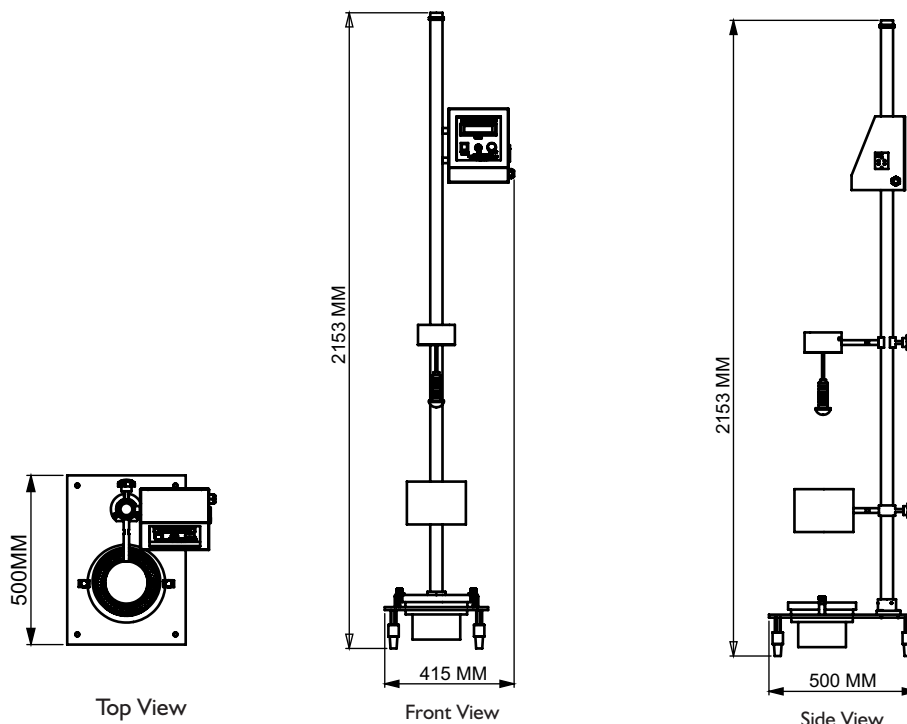
Model No. PDI-350 (Robo 2.0)

Dart Impact Tester or Dart Drop Tester is a Quality testing instrument which is used to measure the Impact Resistance of the plastic films, sheets and composite films from external load. The dart weight expresses the energy required to tear or puncture the test specimen. This method is also known as Free Falling Dart Impact test. It can be also used for aluminum foils and Its plastic composite films, Paper & Paperboard.

PRESTO Dart Impact Tester is manufactured under Test Standard IS 2508:1984(R2003), ASTM D1709-16A.

- Electromagnetic Hold and release mechanism for dart
- Dart Drop Height adjustable clamp
- Inbuilt Digital counter for counting number of falls during single test operation
- Circular annular clamping devices for zero slippage
- Single Push button operation
- Shielding structure to prevent dart from falling out after bounce from sample
- Strong base plate with rugged structure
- Clamping Shield height adjustable collar
- Comes along with Vacuum pump for low micron sample holding

PRESTO Dart Impact Tester is widely used by plastic film manufacturer for assessing the strength and durability of their plastic films, flexible films, sheets and similar other products. Works according to both Method-A and Method-B of test standard.





Presto Stantest Pvt. Ltd.

I-42, DLF Industrial Area Phase-1, Delhi Mathura Road, Faridabad 121003, Haryana, India
P : 9210 903 903, +91 129 4272727, 93111 24302 E : info@prestogroup.com

• Faridabad • Sonipat • Kolkata • Mumbai • Pune • Ahmedabad
• Chennai • Bangalore • Hyderabad

www.prestogroup.com



Key Specifications:

Inner Diameter of clamp	127 mm \pm 2 mm
Diameter of Dart head	• Method A- 38 mm • Method B- 50.8 mm \pm 0.13 mm
Drop Height	660 mm and 1524 mm (Adjustable)
Dart Weight	5 gm to 90 gm – (Steel weight)
Maximum weight holding capacity of Dart Holding Mechanism	Upto 2 Kg (on request upto 3 kg)
Dart Head Material	Method A - Phenolic & Method B - Steel
Least Count of Height Adjustable Clamp	1 mm
Counter	Digital Counter
Power	220V, 50Hz, Single Phase
Vacuum Pump	CFM 1.8, 1/4 Hp Motor
Vacuum Pump oil Capacity	250 ml

Highlights:

T type of test	Free Falling Dart
Release Mechanism	Electromagnetic dart hold/release mechanism
Clamping Unit	Circular annular clamping unit with zero slippage
Material	Mild Steel
Finish	Powder coated Havel Gray & Blue combination finish and bright chrome / zinc plating for corrosion resistant finish
Dimensions	415x500x2153 mm

Dart Impact tester is widely used in several industries to test and to substantiate the potency of plastic sheets, flexible films by free falling Dart.

Optional : Dart Impact Tester Prima series with touch screen also available on request.

Thank you customers for choosing us as your partners in growth !



*All the above logos are the sole property of their respective owners and are used purely for depiction purposes only.

OUR OTHER PRODUCTS :-

Box Compression Tester Digital cum Computerised	Scuff Resistance Tester	Tensile Tester Digital	Spectrocolorimeter	Cobb Sizing Tester	Digital GSM Balance

www.prestogroup.com

